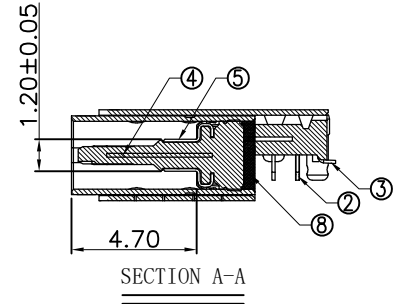
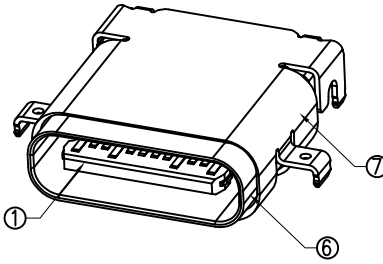
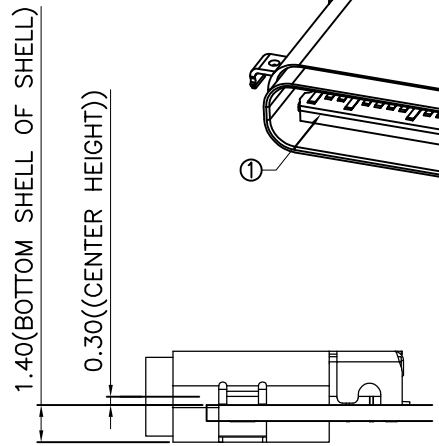
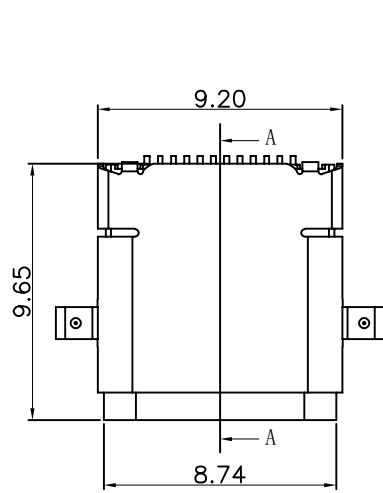
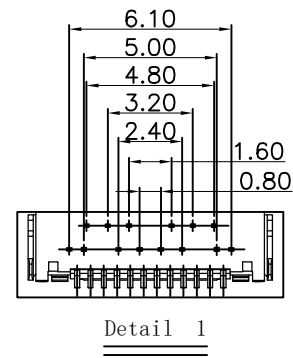
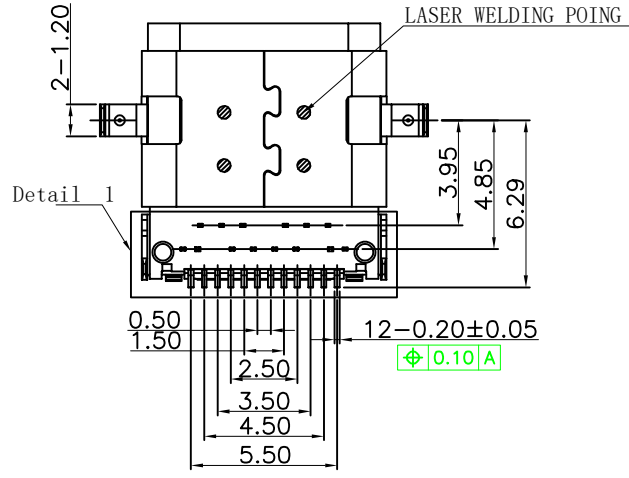
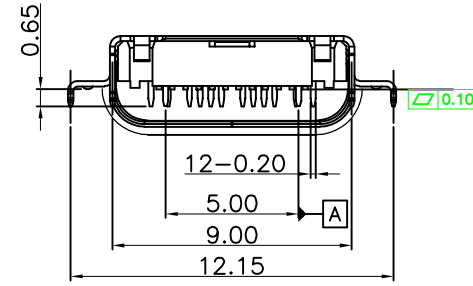
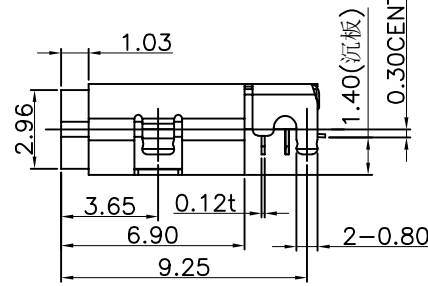
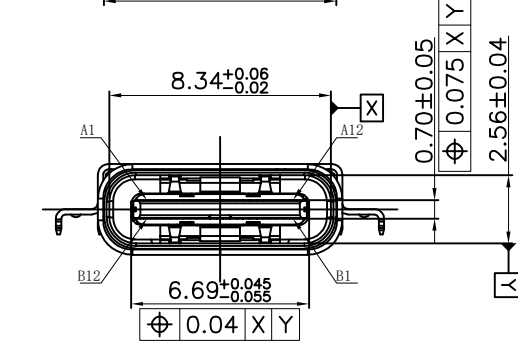


REV.	ECN NO.	MODIFY MATTER	DATE	APPROVED
A		RELEASE TO PRODUCTION		



- NOTES:
- MATERIAL: SEE "TABLE 1";
  - FINISH: SEE "TABLE 1";
  - ELECTRICAL :
    - CONTACT CURRENT RATING :
      - 5A(VBUS PIN 1.5A/PIN),
      - 5A(GND PIN 1.25A/PIN MAX),0.25A/PIN(OTHER PIN).
    - INSULATION RESISTANCE :
      - 100 MEGAOHMS MIN. AT 250VDC.
    - DIELECTRIC WITHSTANDING VOLTAGE :
      - 100VAC MIN.
    - LOW LEVEL CONTACT RESISTANCE :
      - INITIAL 40mΩ MAX.
      - AFTER 50mΩ MAX.
  - MECHANICAL CHARACTERISTICS :
    - MATING FORCE: 5~20N;
    - UNMATING FORCE: 8~20N(INITIAL),6~20N(AFTER 10000 CYCLES);
    - DURABILITY : 10,000 MATING CYCLES.
    - OPERATING TEMPERATURE :-40°C TO +80°C

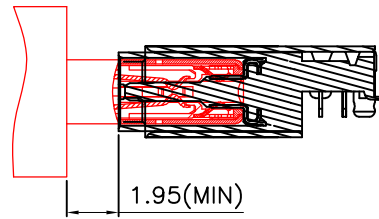
- 防水等级 IPX7
  - PART NUMBER CODE:  
EAST-UTC24SD140-B
- B=接触镀金3u"焊接区域镀金1u"  
E=接触镀金15u"焊接区域镀金1u"



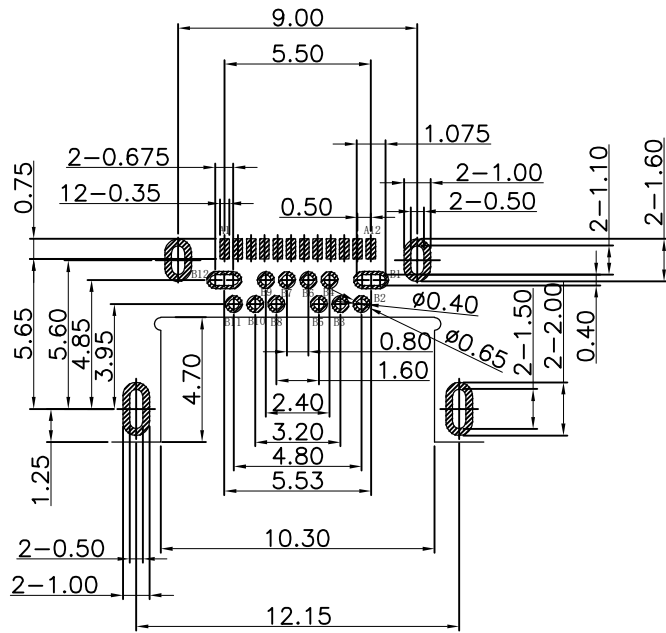
NO.	PART NAME	QTY	MATERIAL	DESCRIPTION	REMARK
⑧	GLUE WATER	1	EPOXY		T=0.20mm
⑦	Shell-2	1	Stainless steel SUS304	N PLATING;	T=0.20mm
⑥	Shell-1	1	Stainless steel SUS304	N PLATING;	T=0.20mm
⑤	GND PLATE	1	Stainless steel SUS301	N PLATING;	T=0.10mm
④	MID PLATE	1	Stainless steel SUS301		T=0.15mm
③	Terminal-B	12	铜镍硅合金 C1814	PART NUMBER CODE:	T=0.12mm
②	Terminal-A	12			T=0.12mm
①	Housing	1	HIGH TEMP	Black	

TOLERANCES UNLESS OTHERWISE SPECIFIED: X. --- X.X ± 0.38 X.XX ± 0.25 X.XXX ± 0.10 Angle ± 1°		COSTOMER COPY		深圳市东方御业科技有限公司 WWW.DFYCONN.COM TEL:0755-27155560	
THESE DRAWING AND SPECIFICATION ARE THE PROPERTY OF Shenzhen Dongfangyue ELECTRONIC CO., LTD. SHALL NOT BE REPRODUCED.		DRAWN: CHENLEI CHECKED: CHENLEI APPROVED: QINKAIXING		TITL: USB TYPE CF防水CL=0.30 沉板1.40 DIP TYPE直边B款 (RoHS) PART NO: EAST-UTC24SD140-B	
		2017/09/10		UNIT: mm SCALE: N/A SHEEL: 1:1 REV:	

REV.	ECN NO.	MODIFY MATTER	DATE	APPROVED
A		RELEASE TO PRODUCTION		



公母对插示意图



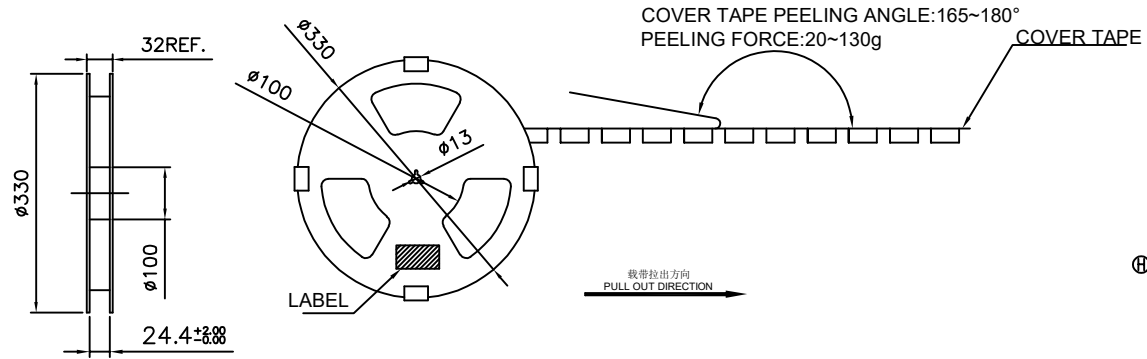
RECOMMENDED P.C.B LAYOUT(Both sides are sample)  
Tolerance:±0.05,Thickness=0.60mm

## CUSTOMER DRAWING

Pin	Signal Name	Mating Sequence	Pin	Signal Name	Mating Sequence
A1	GND	First	B12	GND	First
A2	SSTXp1	Second	B11	SSRXp1	Second
A3	SSTXn1	Second	B10	SSRXn1	Second
A4	V <sub>BUS</sub>	First	B9	V <sub>BUS</sub>	First
A5	CC1	Second	B8	SBU2	Second
A6	Dp1	Second	B7	Dn2	Second
A7	Dn1	Second	B6	Dp2	Second
A8	SBU1	Second	B5	CC2	Second
A9	V <sub>BUS</sub>	First	B4	V <sub>BUS</sub>	First
A10	SSRXn2	Second	B3	SSTXn2	Second
A11	SSRXp2	Second	B2	SSTXp2	Second
A12	GND	First	B1	GND	First
SHELL		GND	SHELL		GND

TOLERANCES UNLESS OTHERWISE SPECIFIED: X. --- X.X ± 0.38 X.XX ± 0.25 X.XXX ± 0.10 Angle ± 1°	COSTOMER COPY 深圳市东方御业科技有限公司 WWW.DFYCONN.COM TEL:0755-27155560	
	DRAWN: CHENLEI	2017/09/10
CHECKED: CHENLEI	2017/09/10	PART NO: EAST-UTC24SD140-A
APPROVED: QINKAIXING	2017/09/10	UNIT: mm
THESE DRAWING AND SPECIFICATION ARE THE PROPERTY OF Shenzhen Dongfangyue ELECTRONIC CO., LTD. SHALL NOT BE REPRODUCED.	SCALE: N/A	SHEEL: 1:1

REV.	ECN NO.	MODIFY MATTER	DATE	APPROVED
A		RELEASE TO PRODUCTION		



**包装方式:**

第一步: 产品使用包装机器入包装盘

- (1) 首先将包装盘贴上标签
- (2) 再将成品按照规定的所示方向摆放于料带中进行包装
- (3) 每盘包装数量1000PCS成品

第二步: 包装盘入外箱

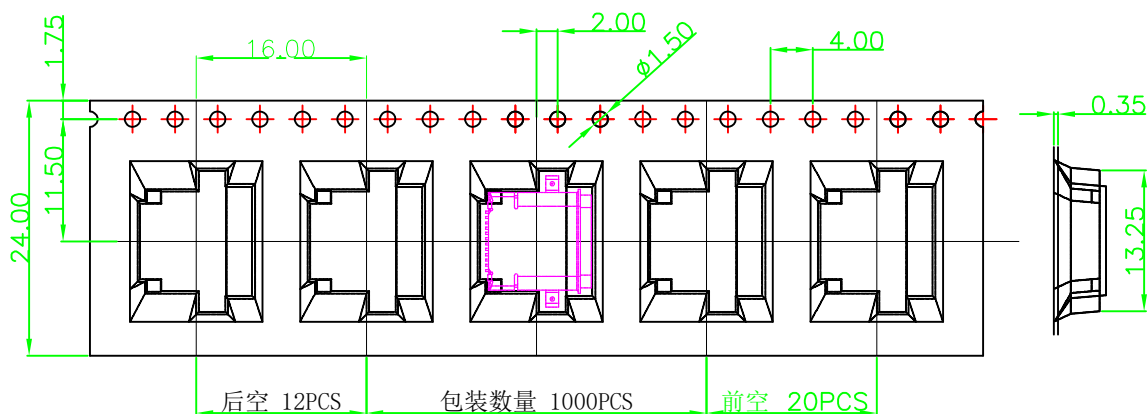
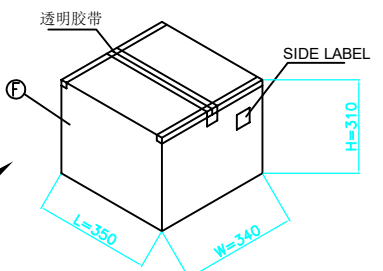
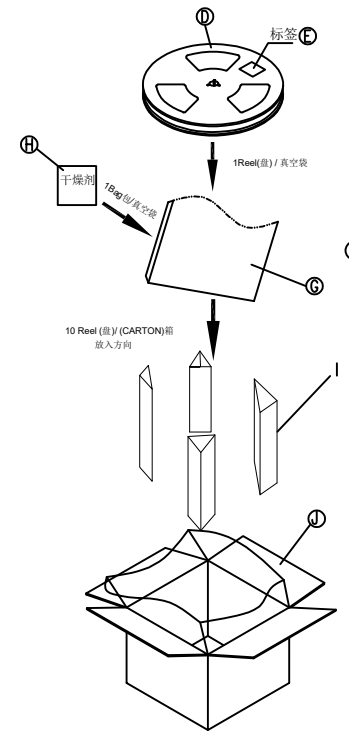
- (1) 将包装完的包装盘每1盘装入1个真空袋中
- (2) 每个真空袋中放入一包干燥剂, 并做真空包装处理
- (3) 将10个真空袋, 共10盘/10000PCS放入置入外箱的PE袋中

第三步: 外箱封口&贴标签

- (1) 先确认外箱里是否有10盘产品
- (2) 包装完成后使用透明胶带封口, 贴LABEL于规定的位置

第四步: 储存&运输

- (1) 储存在通风, 干燥环境; 搬运时轻拿轻放



J	PE袋	1	630L*620W
I	三角护柱	4	
H	干燥剂	10	
G	真空袋	10	500L*450W
F	纸箱	1	350L*340W*310H
E	标签	10	
D	REEL	10	
C	COVER TAPE	10	21.3m/m (1R/300M)
B	CARRIER TAPE	10	12511(L)*24(W)*0.4(T)
A	Phone Jack	10000	U501T24J4FZL2
NO	DESCRIPTION	Q'TA(PCS)	SPEC

TOLERANCES UNLESS OTHERWISE SPECIFIED: X. --- X.X ± 0.38 X.XX ± 0.25 X.XXX ± 0.10 Angle ± 1°		COSTOMER COPY		深圳市东方御业科技有限公司 WWW.DFYCONN.COM TEL:0755-27155560	
THESE DRAWING AND SPECIFICATION ARE THE PROPERTY OF Shenzhen Dongfangyue ELECTRONIC CO., LTD., SHALL NOT BE REPRODUCED.		DRAWN: CHENLEI	2017/09/10	TITIAL: USB TYPE CF防水包装图	
		CHECKED: CHENLEI	2017/09/10	PART NO: EAST-UTC24SD140-A	
		APPROVED: QINKAIXING	2017/09/10	UNIT: mm	SCALE: N/A
				SHEET: 1:1	REV.